

DATA SHEET

For a complete data sheet, please also download:

- The IC06 74HC/HCT/HCU/HCMOS Logic Family Specifications
- The IC06 74HC/HCT/HCU/HCMOS Logic Package Information
- The IC06 74HC/HCT/HCU/HCMOS Logic Package Outlines

74HC/HCT7731

Quad 64-bit static shift register

Product specification
File under Integrated Circuits, IC06

September 1993

Quad 64-bit static shift register

74HC/HCT7731

FEATURES

- Frequency range DC to 100 MHz.
- Separate serial data inputs
- Cascadable
- Functionally compatible with HEF 4731
- Includes recycling mode
- Direct shift out
- Output capability: Standard
- I_{CC} category: LSI.

APPLICATIONS

- Data storage
- Delay line.

GENERAL DESCRIPTION

The HC/HCT7731 are high-speed Si-gate CMOS devices. They are specified in compliance with JEDEC standard no. 7A.

The HC/HCT7731 are quad 64-bit static shift registers with a recycling mode. Each register has separate data inputs D_a to D_d, clock inputs CP_a to CP_d and data outputs Q_a to Q_d. Data shifts one place towards the output, each LOW to HIGH transition of the clock pulse. Each recycling mode input controls two registers REC_{ab} for registers A and B and REC_{cd} for registers C and D. When the REC input is HIGH, the device is in the recycling mode and data at the output is shifted back into the input of the register, so after 64 clock pulses the contents of a register is again in its original position. This enables the user to tap off data from any position. When the REC input is LOW external data can be shifted in.

QUICK REFERENCE DATA

GND = 0 V; T_{amb} = 25 °C; t_r = t_f = 6 ns.

SYMBOL	PARAMETER	CONDITIONS	TYP.		UNIT
			HC	HCT	
t _{PHL} /t _{PLH}	propagation delay CP _{a-d} to Q _{a-d}	C _L = 15 pF; V _{CC} = 5 V	15	20	ns
f _{max}	maximum clock frequency		100	100	MHz
C _I	input capacitance		3.5	3.5	pF
C _{PD}	power dissipation capacitance per register	notes 1, 2 and 3	58	61	pF

Notes

1. C_{PD} is used to determine the dynamic power dissipation (P_D in μW):

$$P_D = (C_{PD} \times V_{CC}^2 \times f_i) + (C_L + V_{CC}^2 \times f_o) + (I_{pull-up} \times V_{CC})$$

where:

f_i = input frequency in MHz.

f_o = output frequency in MHz.

V_{CC} = supply voltage in V.

C_L = output load capacitance in pF.

I_{pull-up} = pull-up currents in μA.

2. For HC the condition is V_I = GND to V_{CC}
For HCT the condition is V_I = GND to V_{CC} – 1.5 V.
3. See also power dissipation information.

ORDERING INFORMATION

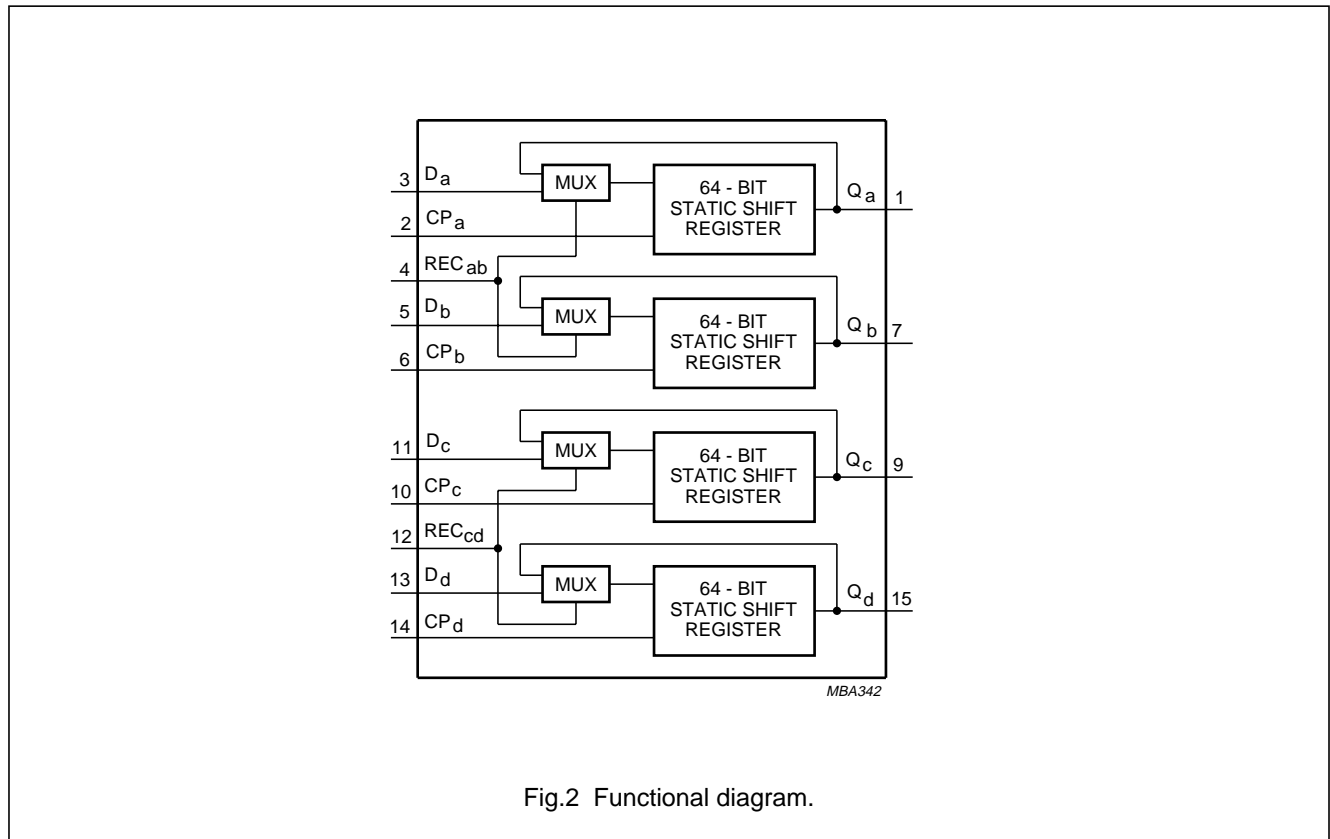
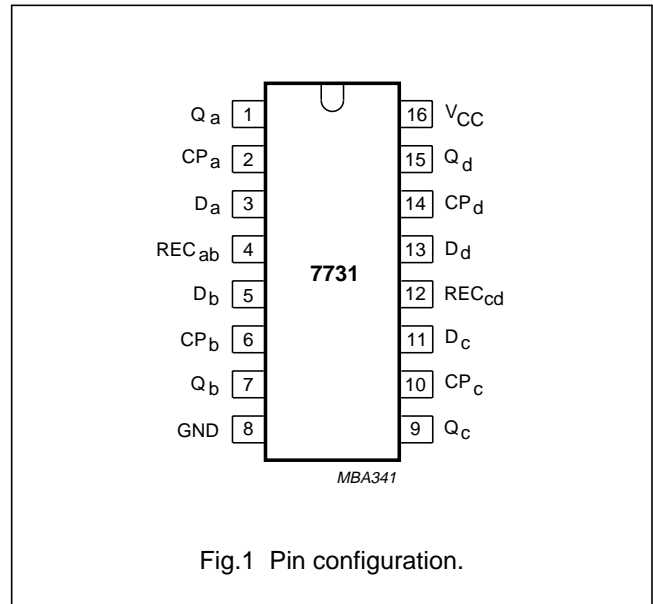
EXTENDED TYPE NUMBER	PACKAGE			
	PINS	PIN POSITION	MATERIAL	CODE
74HC/HCT7731N	16	DIL	plastic	SOT38Z
74HC/HCT7731D	16	SO16	plastic	SOT109A

Quad 64-bit static shift register

74HC/HCT7731

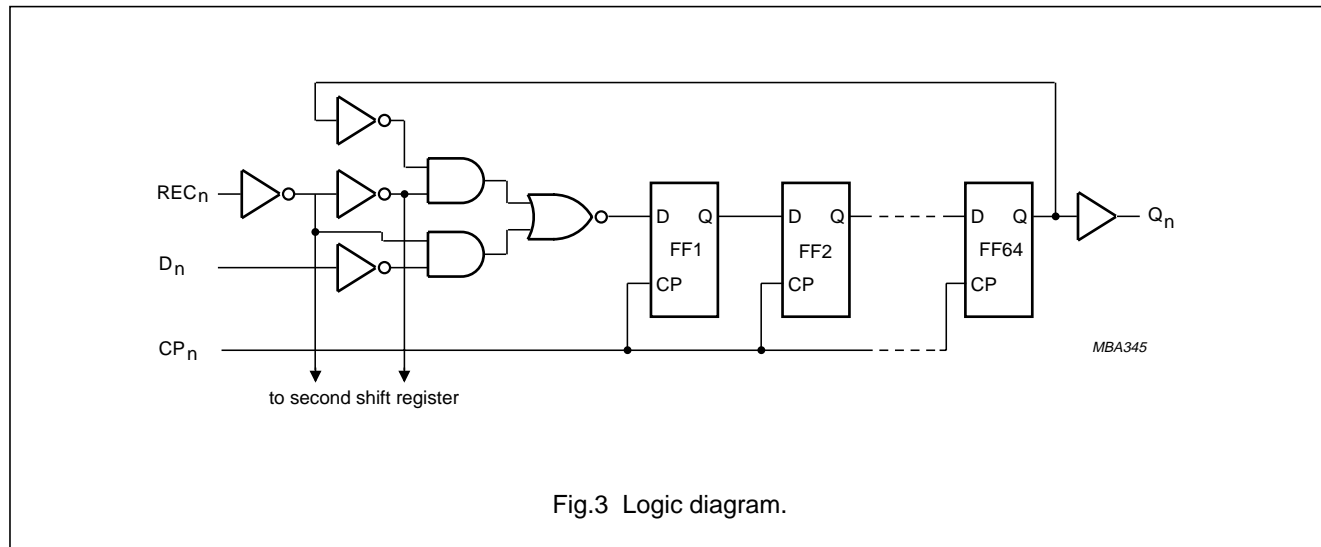
PINNING

SYMBOL	PIN	DESCRIPTION
Q _a to Q _d	1, 7, 9, 15	data outputs
CP _a to CP _d	2, 6, 10, 14	clock inputs
D _a to D _d	3, 5, 11, 13	data inputs
REC _{ab} , REC _{cd}	4, 12	recycled enable input
GND	8	ground (0 V)
V _{CC}	16	positive supply



Quad 64-bit static shift register

74HC/HCT7731



FUNCTION TABLE

INPUT		OUTPUT
REC	CP	MODE
L	↑	shift
H	↑	recycle

Notes

1. L = LOW voltage level
 H = HIGH voltage Level
 ↑ = LOW-to-HIGH CP transition

Quad 64-bit static shift register

74HC/HCT7731

DC CHARACTERISTICS FOR 74HC

For the DC characteristics see *"74HC/HCT/HCU/HCMOS Logic Family Specifications"*.

Output capability: standard

I_{CC} category: LSI.

AC CHARACTERISTICS FOR 74HC

GND = 0 V; t_r = t_f = 6 ns; C_L = 50 pF.

SYMBOL	PARAMETER	T _{amb} (°C)							UNIT	TEST CONDITION	
		+25			-40 to +85		-40 to +125			V _{CC} (V)	WAVEFORMS
		MIN	TYP	MAX	MIN	MAX	MIN	MAX			
t _{PHL} /t _{PLH}	propagation delay time CP to Q _n	–	50	155	–	190	–	230	ns	2.0	Fig.4
		–	18	31	–	38	–	46	ns	4.5	
		–	15	26	–	32	–	39	ns	6.0	
t _{THL} /t _{TLH}	output transition time	–	19	75	–	90	–	110	ns	2.0	Fig.4
		–	7	15	–	18	–	22	ns	4.5	
		–	6	13	–	15	–	19	ns	6.0	
t _W	clock pulse width HIGH or LOW	80	19	–	100	–	120	–	ns	2.0	Fig.4
		16	7	–	20	–	24	–	ns	4.5	
		14	6	–	17	–	20	–	ns	6.0	
t _{su}	set-up time D _n to CP _n	60	8	–	75	–	90	–	ns	2.0	Fig.4
		12	3	–	15	–	18	–	ns	4.5	
		10	3	–	13	–	15	–	ns	6.0	
t _{su}	set-up time REC _n to CP _n	75	22	–	90	–	110	–	ns	2.0	Fig.5
		15	8	–	18	–	22	–	ns	4.5	
		13	7	–	15	–	19	–	ns	6.0	
t _h	hold time D _n to CP _n	25	–3	–	30	–	35	–	ns	2.0	Fig.4
		5	–1	–	6	–	7	–	ns	4.5	
		4	–1	–	5	–	6	–	ns	6.0	
t _h	hold time REC _n to CP _n	10	–8	–	10	–	15	–	ns	2.0	Fig.5
		2	–3	–	2	–	3	–	ns	4.5	
		2	–3	–	2	–	3	–	ns	6.0	
f _{max}	maximum clock pulse frequency	6	26	–	4.8	–	4	–	MHz	2.0	Fig.4 (note 1)
		30	78	–	24	–	20	–	MHz	4.5	
		35	93	–	28	–	23	–	MHz	6.0	

Note

1. The maximum power dissipation has to be observed. See power dissipation information.

Quad 64-bit static shift register

74HC/HCT7731

UNIT LOAD COEFFICIENT

INPUT	UNIT LOAD COEFFICIENT
CP _n	0.7
REC _n	0.4
D _n	0.5

Notes

- The RS input has CMOS input switching levels.
- The value of additional quiescent supply current (ΔI_{CC}) for a unit load of 1 is given in the family specifications. To determine ΔI_{CC} per input, multiply this value by the unit load coefficient shown in Table 1.

AC CHARACTERISTICS FOR 74HCT

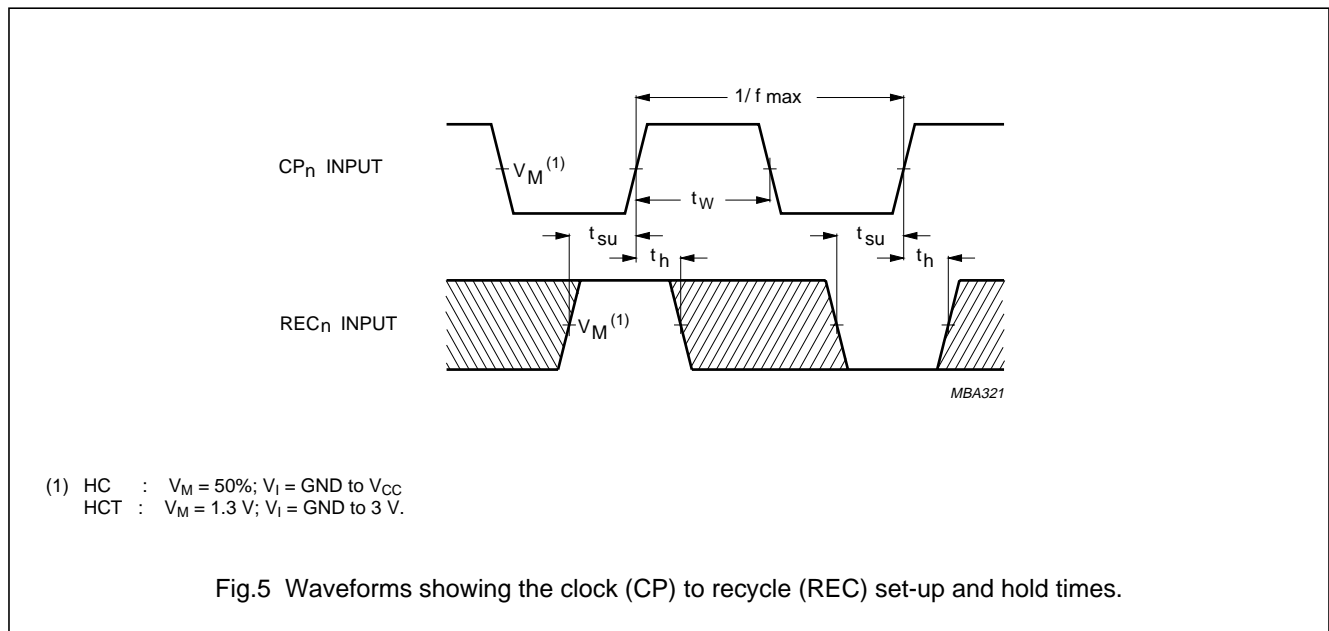
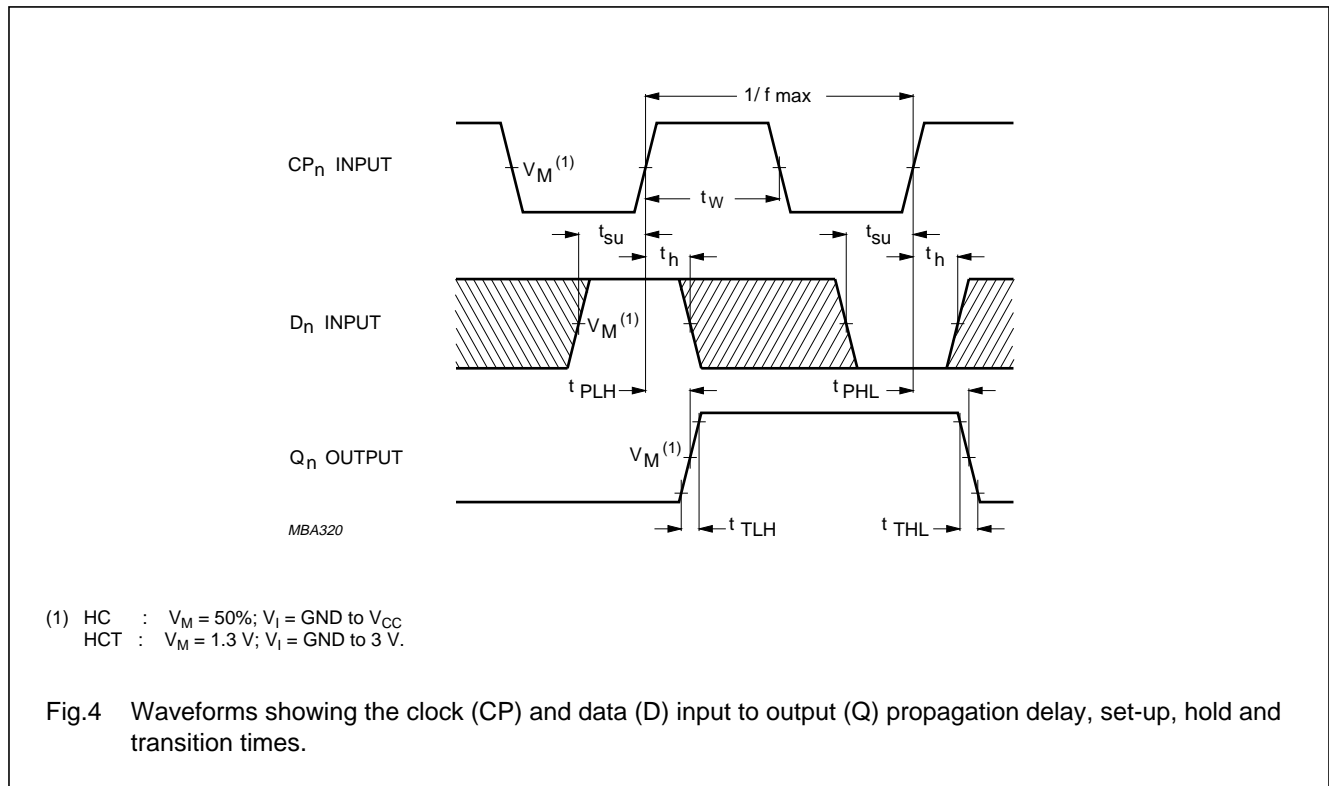
GND = 0 V; $t_r = t_f = 6$ ns; $C_L = 50$ pF.

SYMBOL	PARAMETER	T _{amb} (°C)							UNIT	TEST CONDITION	
		+25			-40 to +85		-40 to +125			V _{CC} (V)	WAVEFORMS
		MIN	TYP	MAX	MIN	MAX	MIN	MAX			
t _{PHL} /t _{PLH}	propagation delay time CP to Q _n	–	24	42	–	52	–	63	ns	4.5	Fig.4
t _{THL} /t _{TLH}	output transmission time	–	7	15	–	18	–	22	ns	4.5	Fig.4
t _W	clock pulse width HIGH or LOW	16	7	–	20	–	24	–	ns	4.5	Fig.4
t _{su}	set-up time D _n to CP _n	12	3	–	15	–	18	–	ns	4.5	Fig.4
t _{su}	set-up time REC _n to CP _n	15	6	–	18	–	22	–	ns	2	Fig.5
t _h	hold time D _n to CP _n	5	0	–	6	–	7	–	ns	2	Fig.4
t _h	hold time REC _n to CP _n	2	–3	–	2	–	3	–	ns	4.5	Fig.5
f _{max}	maximum clock pulse frequency	30	80	–	24	–	20	–	MHz	4.5	Fig.4 (note 1)

Quad 64-bit static shift register

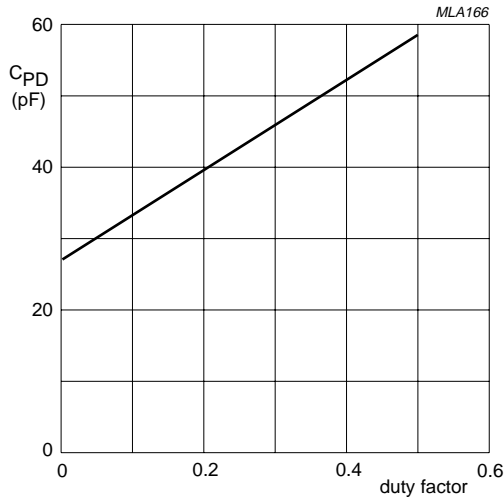
74HC/HCT7731

AC WAVEFORMS



Quad 64-bit static shift register

74HC/HCT7731

Fig.6 C_{PD} as a function of the duty factor.**POWER DISSIPATION INFORMATION**

The power dissipation per register operating at the same frequency is given by:

$$P_D = (C_{PD} \times V_{CC}^2 \times f_i) + (C_L + V_{CC}^2 \times f_o) + (I_{pull-up} \times V_{CC})$$

- f_i = clock input frequency
 f_o = data output frequency
 C_L = output load capacitance in pF
 V_{CC} = power supply voltage in V.

As P_D also depends on the frequency at which the contents of the internal bits are changing, the value of C_{PD} is a function of the duty factor (d_f) being the ratio between data and clock frequency, see Fig.6.

Example:

- f_i = 12 MHz
 f_o = 3 MHz
 C_L = 25 pF
 V_{CC} = 5 V
 d_f = $3/12 = 0.25$
 C_{PD} = 42.5 pF

$$P_D = (42.5 \times 5^2 \times 12) + (25 \times 5^2 \times 3) = 14625 \mu W$$

As the maximum allowable power dissipation in an SO package at $T_{amb} = 125^\circ C$ is 60 mW, it is allowed to apply 4 registers at the same time under these conditions.

PACKAGE OUTLINES

See "74HC/HCT/HCU/HCMOS Logic Package Outlines".